

# Multi-service Transmodulator and En-modulator

--Hotel/Hospital/Community upgrading to Digital TV System



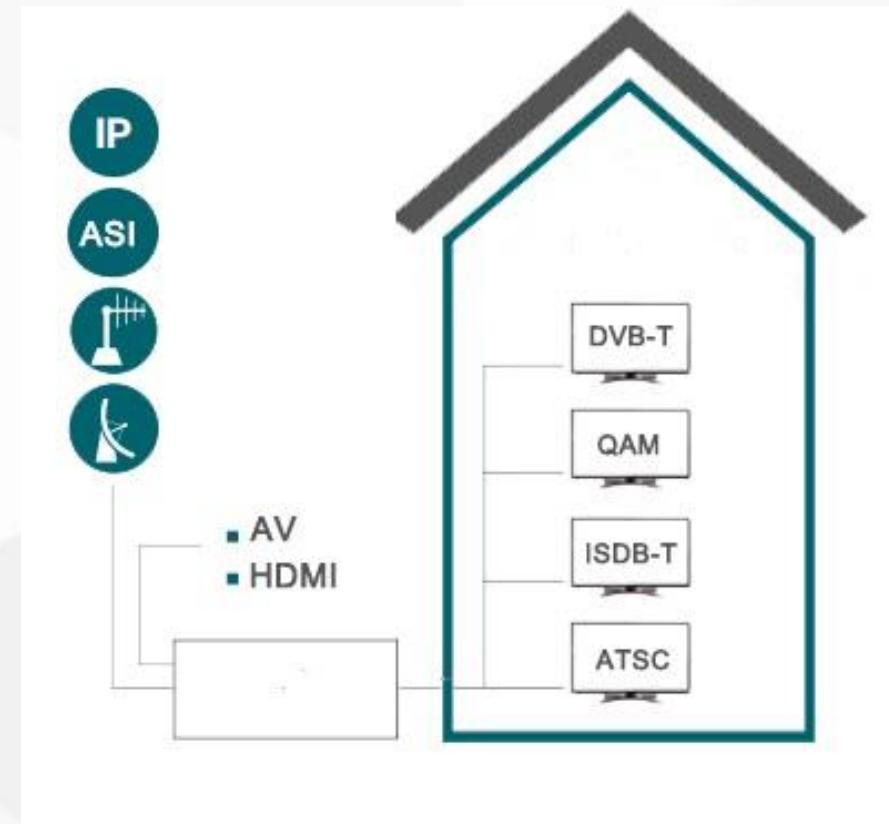
In order to facilitate the hotel, hospital and other commercial establishments with latest technology digital tv system by upgrading the traditional MATV analog system.

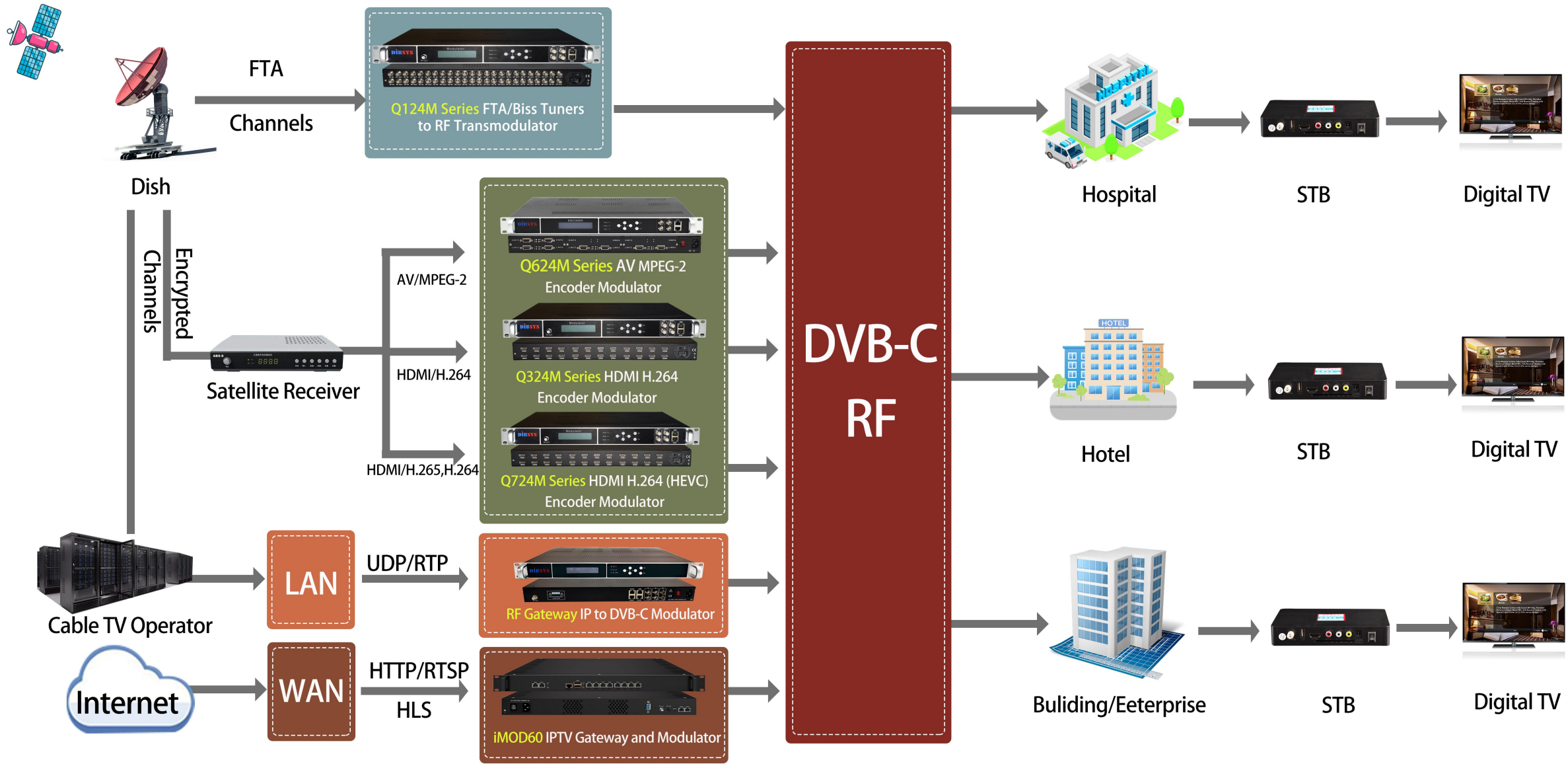
DIBSYS released the economic digital tv headend modulators streaming over coaxial cable.

- *Compared with analog TV, the image will be more clear, which can make use of the HDTV with the QAM RF tuners in one stop to upgrade to digital television, and bring you enjoy the high-definition TV life experience.*
- *Compared with the IPTV system, the upgrade and maintenance cost is much lower. As it also can use the existing coaxial cable, and other existing programs to watch more TV programs.*

# why choose DIBSYS solution

- **Cost-effective** – solution to distribute your Video Signals with Perfect Digital Quality
- **Signal quality** – won't degrade like analog
- **Simple configuration** – add or upgrade channels in minutes
- **Clear QAM broadcast** – works with all standard HDTVs
- **Using the existing Coaxial analog Cable** – combined with the other TV channels





## Q124M Series DVB-S2 FTA IRD optional Modulator

- up to 24 tuner DVB-S2 input, optional ISDB-T, DVB-C, DVB-T/T2, DTMB, ATSC
- DVB-S2 up to 16apsk, 32apsk (optional)
- 512\*SPTS and 4\*MPTS and N\*tuner passthrough Output
- Operation via LCD Screen and Web Management



## Q324M Series up to 24 channels HDMI H.264 Encoder Modulator

- up to 24 HDMI input, optional ISDB-T, DVB-C, DVB-T/T2, DTMB, ATSC modulation out
- 4\*Carrier RF Out, (8\*Carrier RF Out optional)
- video format: H.264 encoding
- audio format: MPEG-1 Layer 2, Optional: AAC-LC, AAC-HE v1, AAC-HE v2
- Operation via LCD Screen and Web Management

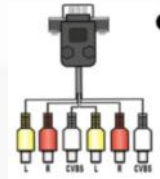


## Q724M Series up to 24 channels HDMI H.264 (HEVC) Encoder Modulator

- up to 24 HDMI input, optional ISDB-T, DVB-C, DVB-T/T2, DTMB, ATSC modulation out
- 4\*Carrier RF Out, (8\*Carrier RF Out optional)
- video format: H.264, HEVC/H.265 encoding
- audio format: MPEG-1 Layer 2, Optional: AAC-LC, AAC-HE v1, AAC-HE v2
- Operation via LCD Screen and Web Management



## Q624M Series up to 24 channels AV MPEG-2 Encoder Modulator



- up to 24 24 Composite inputs
- optional ISDB-T, DVB-C, DVB-T/T2, DTMB, ATSC modulation out
- video format: MPEG-2 encoding
- audio format: MPEG-1 Layer 2, Optional: AAC-LC, AAC-HE v1, AAC-HE v2
- Operation via LCD Screen and Web Management



## RF Gateway IP to DVB-C Modulator

- RF tuner flexible combination, 4 modules in total
- Each module supports 384\*IP inputs over GbE Port, and 6 ASI input
- DVB-C (QAM) Modulation, 16/32 Channel Non-adjacent Carrier RF output)
- Supports non-adjacent frequencies in the whole frequency range, and solves a small number of isolated frequency points



## iMOD60 IPTV Gateway and Modulator

- IP (HTTP, UDP, RTP, RTSP and HLS) input through Data/Data 1/2 port
- 16\*DVB-C/8\*DVB-T/6\*ISDBT/8\*ATSC RF out
- 16 chs multiplexing
- 4 chs scrambling (only for DVB-C)
- Maximum simulcrypt CA: 4 CA



## STB220M DVB-C H.264 Set Top Box

- HD DVB-C set top box compliant with MPEG2 and MPEG4 H.264 and AVS
- CPU: Montage M88cc6000-t010 (High-performance dual MIPS CPU)
- Compatible with HDTV channels and equipped with HDMI connector
- Fully compatible with DVB-C EN300 429/ITU J.83B (AnnexB)
- Support EPG, Boot screen, subtitle, teletext etc



# Simple Hotel/Hospital/Community upgrading to Digital TV System

This project is located in a small community and needs to provide video services for 200 users. This solution uses the existing analog coaxial network to upgrade to digital television. It contains 100 channels of programs (HD/SD). The program sources are as follows:

- 20 channels from FTA IRD
- 60 channels from Satellite receiver with HDMI/AV
- 20 channels from Cable TV Operators

The signal received from RF demodulators & decoder and output with HDMI/AV.

For the IRD, **Q124M**, 24 tuner DVB-S2, ISDB-T, DVB-C, DVB-T/T2, DTMB, ATSC types, with DVB-C modulation out.

For the video SD MPEG-2 encoder modulator, **Q624M**, which can support 24 channels SD;

For the video HD H.264 encoder modulator, **Q324M**, which can support 24 channels HDMI;

For the video HD H.265 encoder modulator, **Q724M**, which can support 24 channels HDMI;

This is suitable for upgrading digital TV in **small communities, hotels, and hospitals.**

1) .FTA IRD optional Modulator

Q124M: 1 set

**2). SD or HD Encoder**

Q624M---SD: 20CH =1 set

Q324M---HD (H.264): 20CH =1 set

Q724M---HD (H.265): 20CH =1 set

**3). RF GATEWAY: 1 set**

**4).iMOD60: 1 set**

**5). STB220M DVB-C H.264 Set Top Box: 200 sets**

# Hotel/Hospital/Building/Shopping mall/Residential/School/Bars...

**DIBSYS**

Mall

Hospital ward

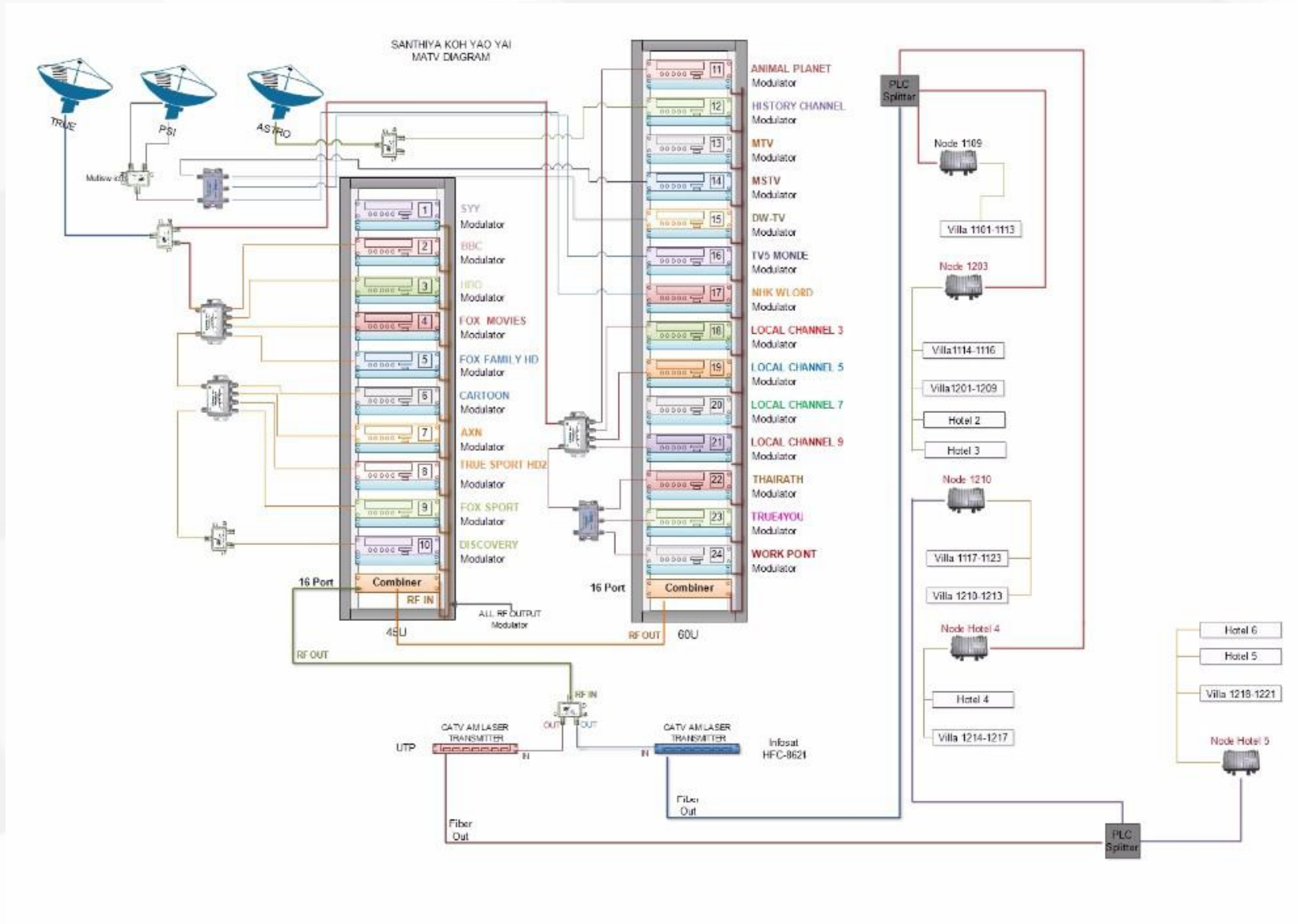
Restaurant

Gym

Bar

**DIBSYS**

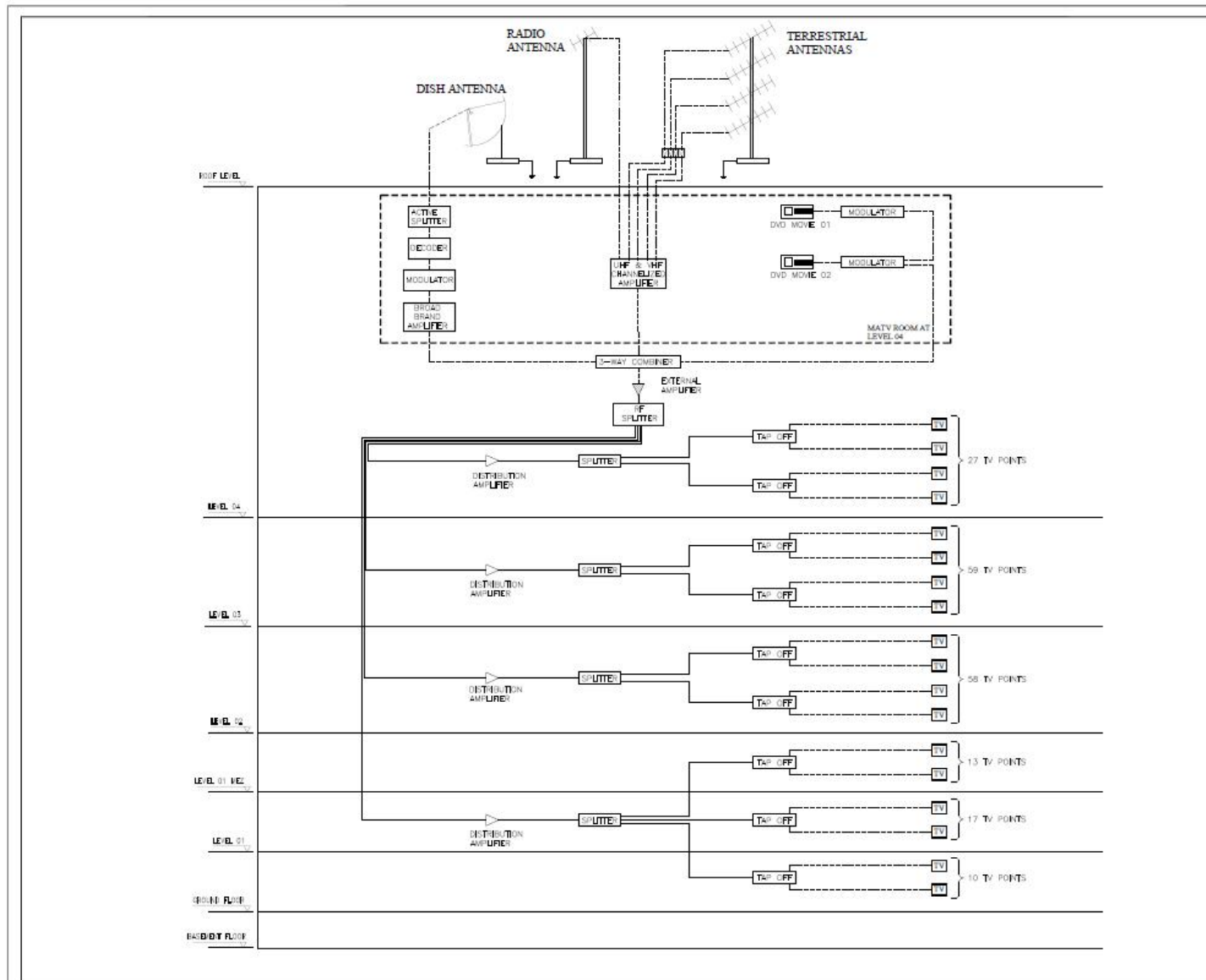
# Customer Case Analysis





- Server Room  
Optical Transmitter 20Mw
- Individual Building  
Optical Receiver  
Node TNC AMB60E 220V  
Tie with BNC 1 in 16 Out splitter
- Optical fiber single mode – Maximum 600 meter

# Hotel Project Construction Drawings



Item	Construction	Headend		Middleware	STB	TV Service	Adantage
<b>Traditional hotel solution</b>	Coaxial Cable	FTA Channels from Satellites	DVB-S/S2 to DVB-C transmodulator	/	DVB STB	Live program	<ul style="list-style-type: none"> <li>1, Most economic</li> <li>2, Cost-effective solution to distribute your Video Signals with Perfect Digital Quality</li> <li>3, Signal quality - won't degrade like analog</li> <li>4, Simple configuration - add or upgrade channels in minutes</li> <li>5, Clear QAM broadcast - works with all standard HDTVs</li> <li>6, Using the existing Coaxial analog Cable - combined with the other TV channels</li> </ul>
		Paid Channels from Satellites	HDMI/AV to DVB-C/DVB-T/ATSC/ISDB-T encoder-modulator	/	DVB STB		
<b>Hotel LAN IPTV solution</b>	Ethernet Cable	FTA Channels from Satellites	DVB-S/S2/C/T/T2 FTA IRD to IP	IPTV middleware	Android IPTV STB	<ul style="list-style-type: none"> <li>1, Live program</li> <li>2, VOD</li> <li>3, Billing, etc.</li> <li>4, etc. etc.</li> </ul>	<ul style="list-style-type: none"> <li>1, Luxury Hotel and IPTV solution with multiple iptv service available.</li> <li>2, cost effective.</li> <li>3, Reliable system.</li> </ul>
		Paid Channels from Satellites	CI IRD with ASI and IP out				
		Local Channels	HD/SD broadcasting encoder				

# BUSINESS BENEFITS

- Compared with analog TV, the image will be more clear, which can make use of the HDTV with the QAM RF tuners in one step to upgrade to digital television, and bring you enjoy the high-definition TV life experience.
- Compared with the IPTV system, the upgrade and maintenance cost is more lower. And also can use the existing coaxial cable, and other existing programs to watch more TV programs.
- More stable and reliable, and scalable
- Easy to Maintenance and Management System, front panel LCD for easy channel viewing and LAN port for advanced and remote configuration.
- Apart from supporting DVB-C standards, it also supports which according to the customer's other standards demand of equipment such as applicable to the Japan /South American ISDB-T, European DVB-T, North American ATSC standard.

# MORE DETAILS, JUST CONTACT US.

OFFICE: (+86) 571-89714581

Fax: (+86) 571-89714580

Email: [sale01@dibvision.com](mailto:sale01@dibvision.com)

Skype: dibdvv

Website: [www.dibvision.com](http://www.dibvision.com)

--- DIBSYS TECHNOLOGIES